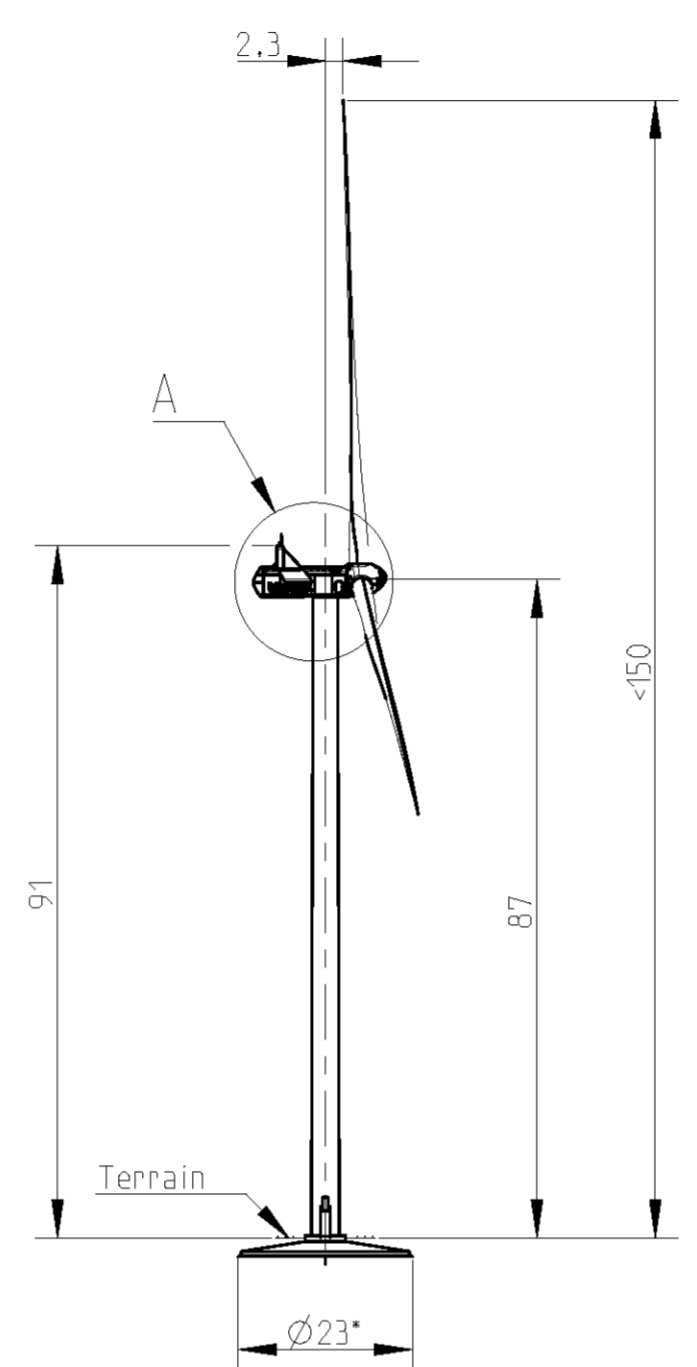
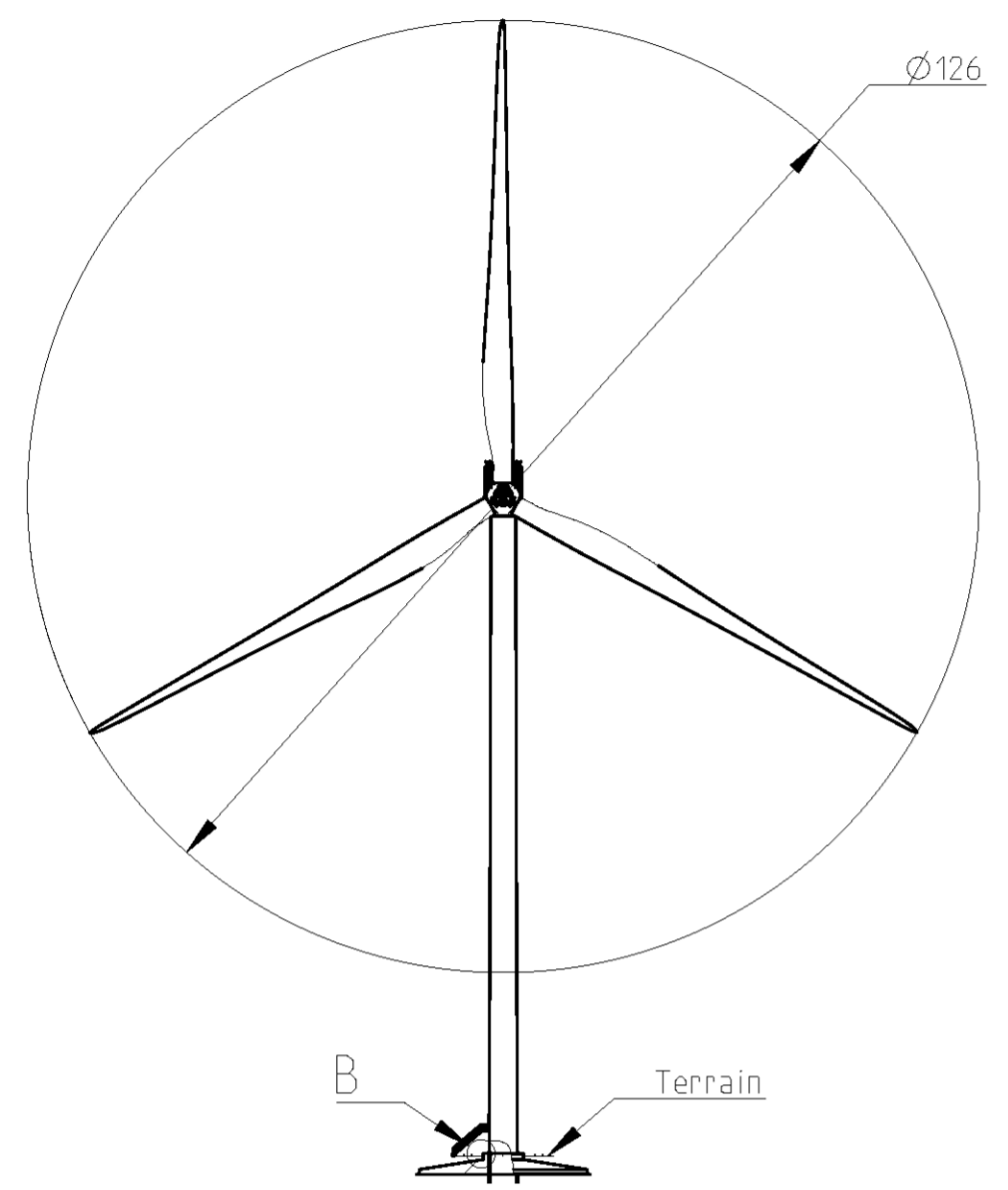


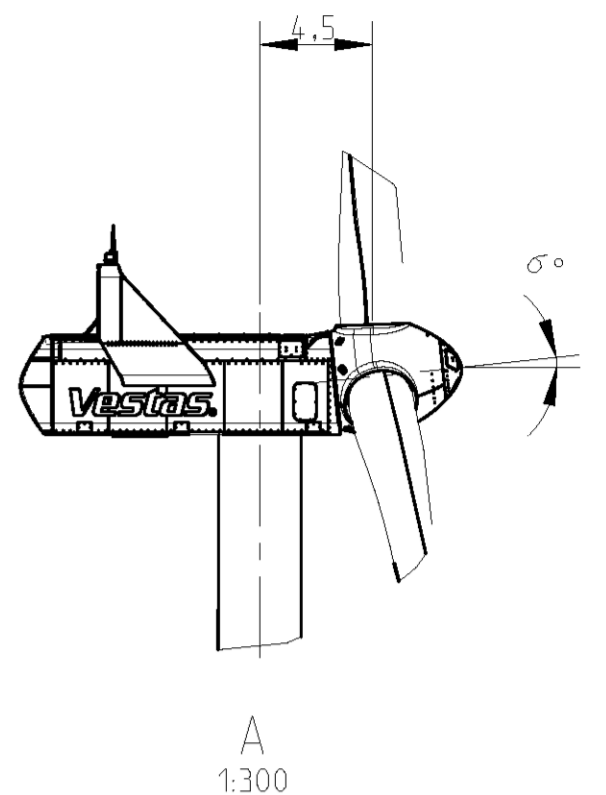
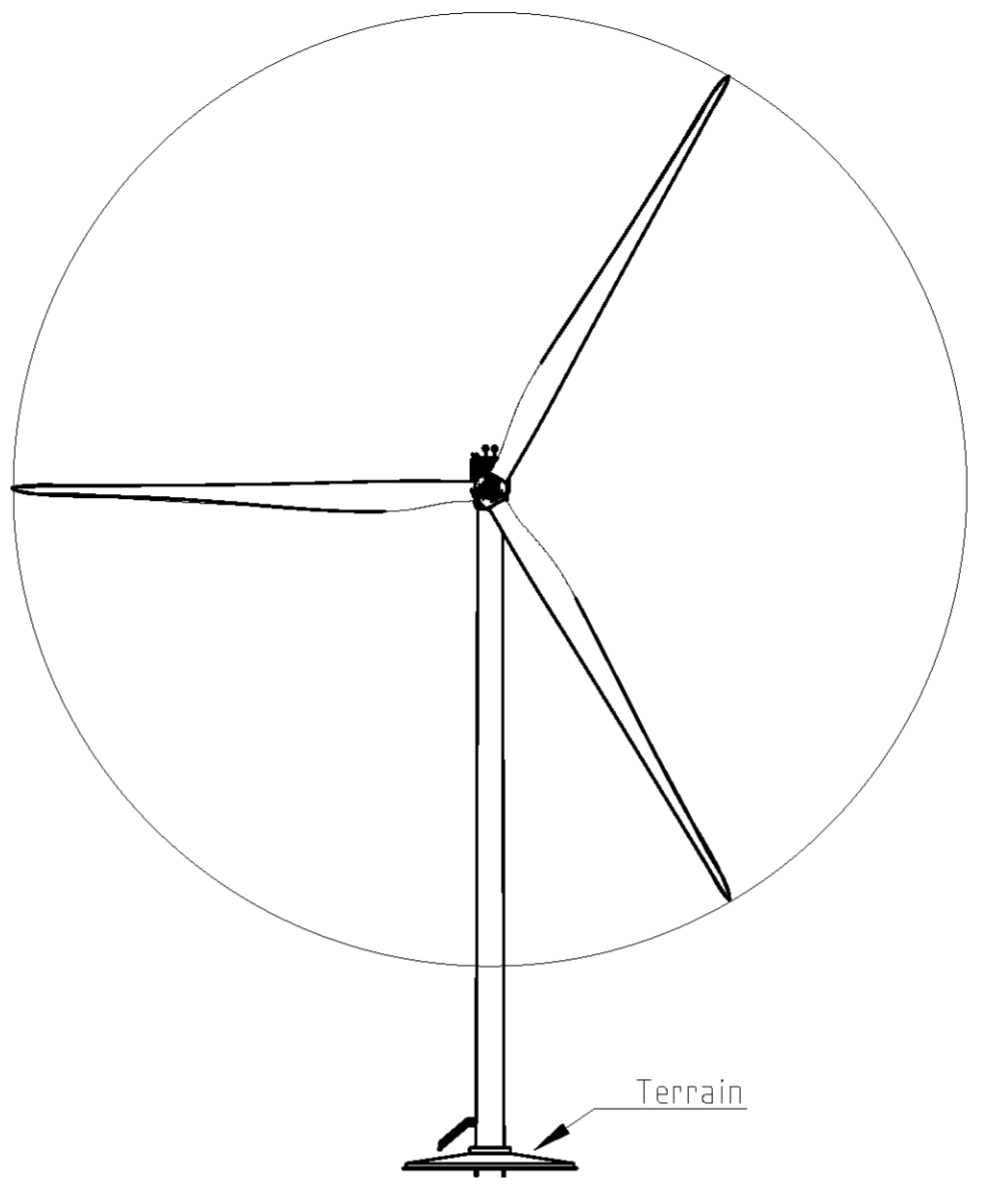
1 2 3 4 5 6 7 8

A
B
C
D
E
F
G
H

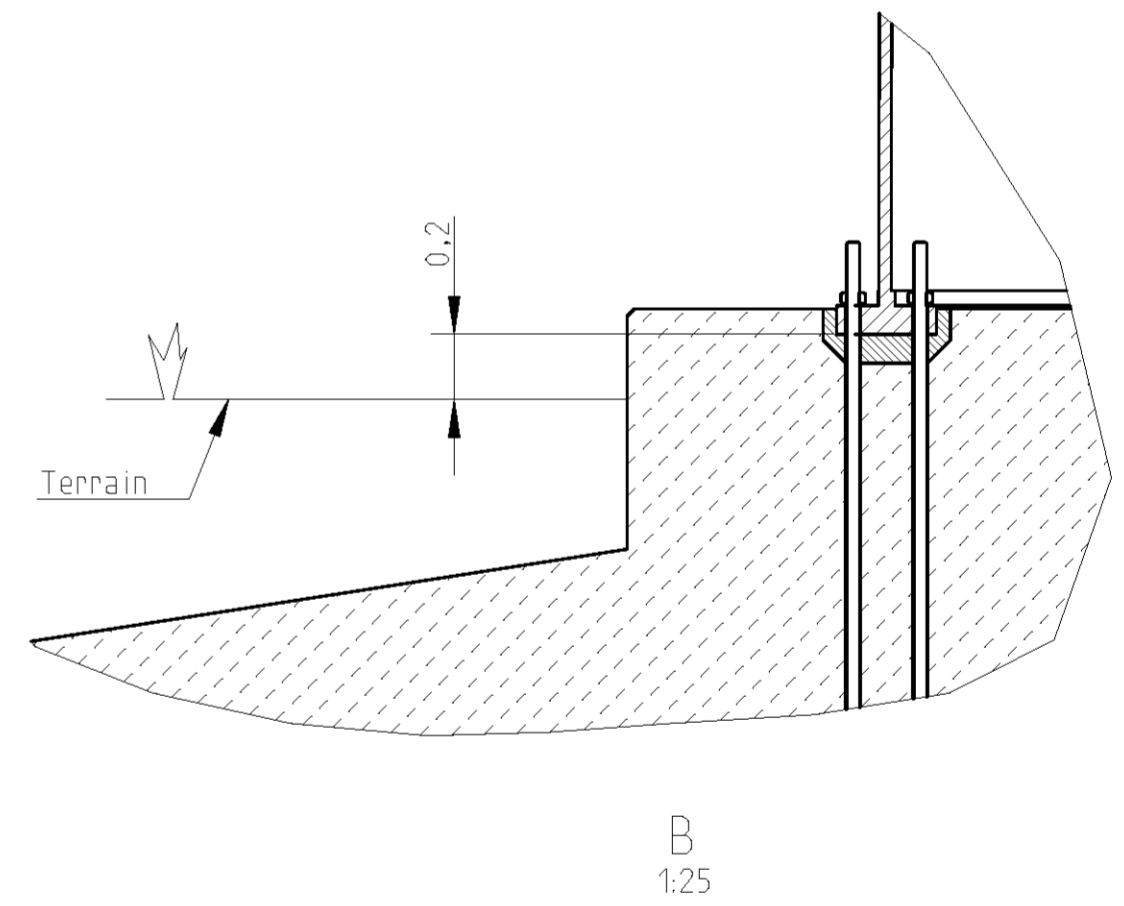
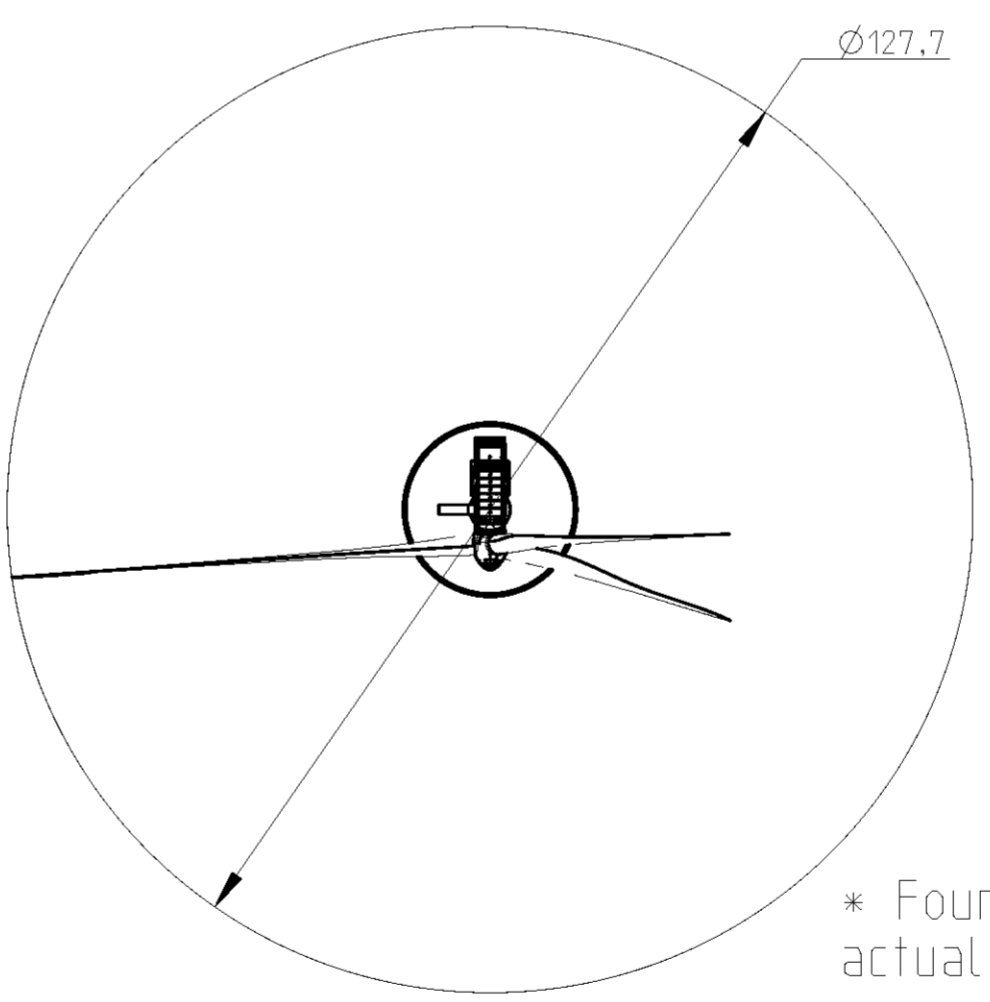
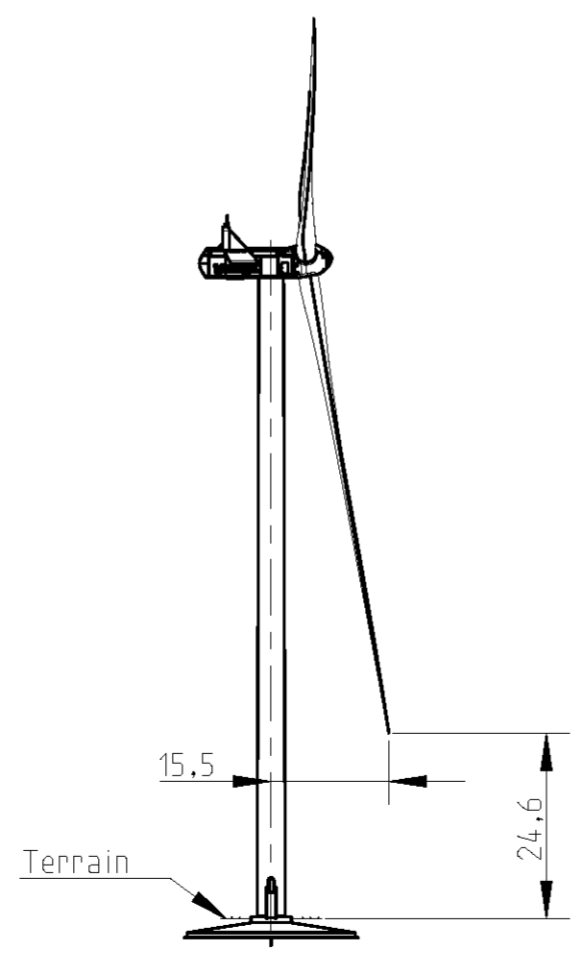
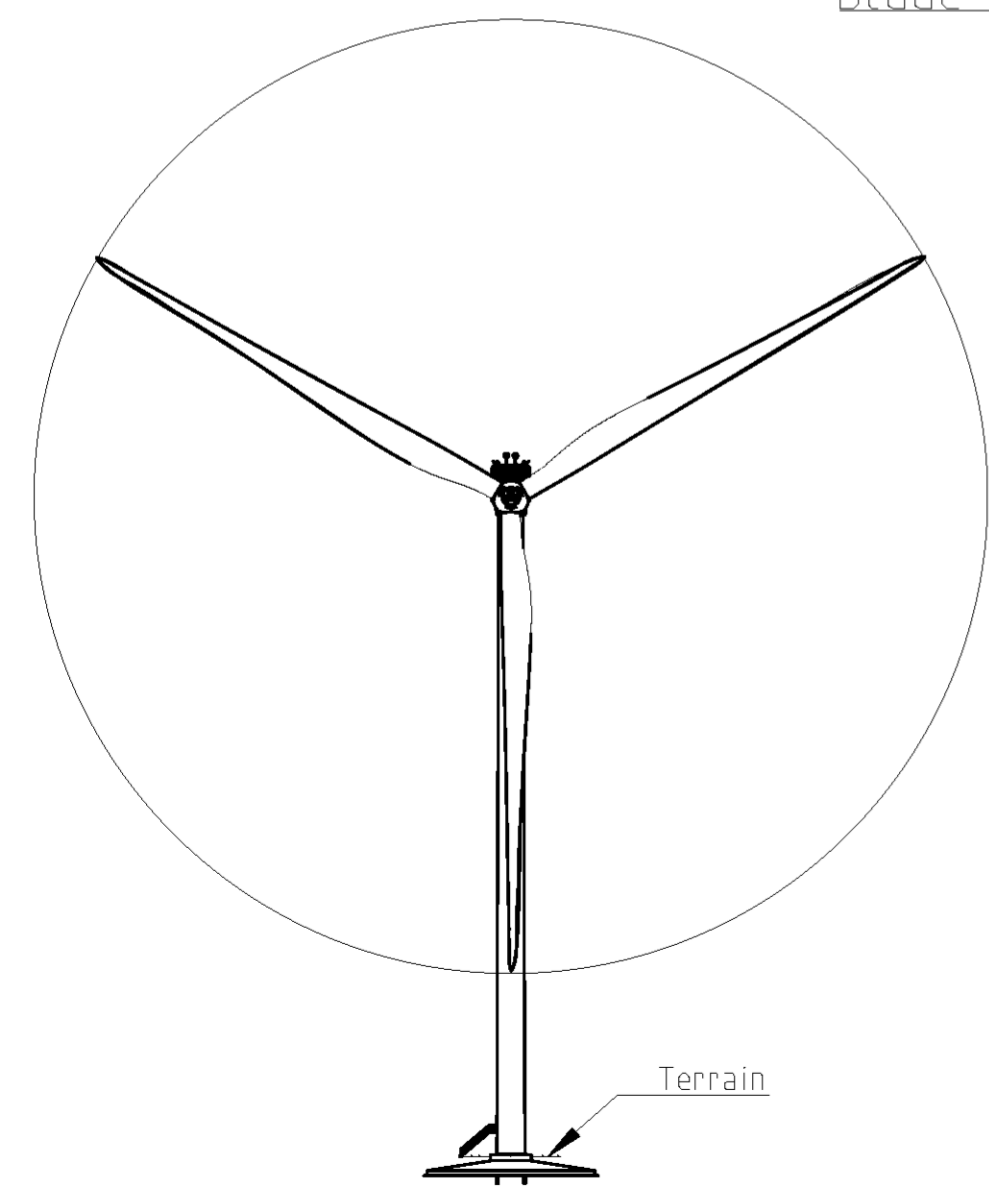
Blade in Inverted-Y Position



Blade in Horizontal Position



Blade in Y Position



* Foundation diameter is indicative and depends on actual site condition

All dimensions are shown in meters



Item no. 0062-1159	Mass (kg) -	Certificate -	Format A2	Status -	Revised by -	Created date -	Created by -
Material / Specification -			Scale 1:1000	Change no. -	PDM ver. -	Reviewed date -	Reviewed by -
Proj. -			Item description V126 HH87				
Pro/E -			Replaces / Copy of -		Drawing no. 0062-1159		Ver. 2
Metric Dimensions shown in mm unless otherwise specified			Sheet 1 of 1				

WARNING: PROPRIETARY AND CONFIDENTIAL INFORMATION.
 This document and the information set forth herein are confidential and proprietary to Vestas Wind Systems A/S. It contains trade secrets, and independent economic value, actual or potential, may be derived from the document/information not being generally known, in consideration of you receiving this document you agree (i) to keep the information secret (ii) only to use the information for the purpose specifically agreed with Vestas (iii) not to disclose directly or indirectly any part of the information to any third party and (iv) not to make copies or reproductions thereof by whatsoever means or undertake any qualitative or quantitative analysis, reverse engineering or replication.